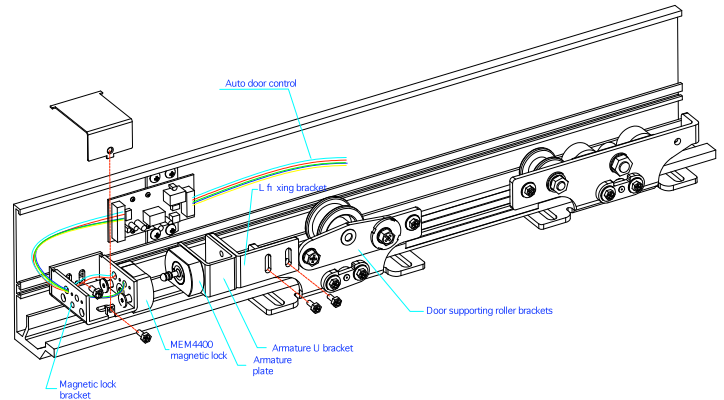
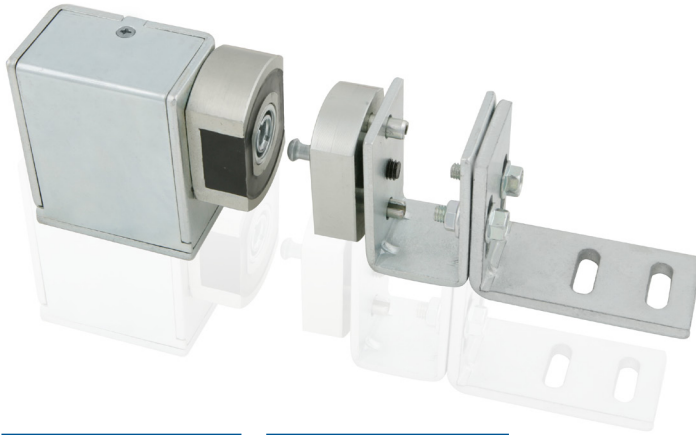




*In or Out...we make it Easy!®*



## Product Features:

- Ultra Compact Design
- High Holding Force up to 680 kg.
- Low power consumption
- Easy Installation
- 5 year warranty
- Fire Rated for up to 4 hours
- Full monitoring Lock Status Sensor (LSS) and Door Status Sensor (DSS)
- Early Warning alarm
- No residual magnetism
- For automatic sliding doors. Lock located on or within door track

## Technical Specifications:

Power Input:	12 VDC, 1 A Max.
Power Consumption:	12 VDC/260mA
Lock Sensor:	24 VDC, 0.1A max. on relay output
Door Sensor:	N/O
Exit Input:	N/O
EW Sensor Output:	30 VDC, 0.2A Max.
Auto Door Control Output:	30VDC, 2 A Max., 120 VAC, 1 A Max.
Alarm Relay Input:	N/O
Alarm Relay Output:	0 - 30 seconds Delay Timer
Magnetic Lock Size:	W=30.0mm x H=16.5mm x L=44mm
Armature Plate Size:	W=30.0mm x H=12.5 x L=44mm
Static Force:	680 kg

## Wiring Diagram:

