



WORKING TOGETHER WITH
SERVOCELL

0 Series
Surface Mounted
Rim Strike



Conventional Keeper
(one moving part)



Lock down holes for
added stability



**Installation Tool
Included!**

Dimensions

1-3/4" x 9" x 3/4"
(44.5mm x 228.6mm x 19.1mm)

Features

- No frame cutting required – **Surface Mounted**
- Higher grade stainless steel ensures superior keeper strength
- Compatible with most major exit devices
- Accommodates exit devices with latch projections from 1/2" to 3/4" (12.7mm - 19.1mm)
- Ensure proper latch alignment with horizontal adjustment up to 1/4" (6.4mm) to compensate for door misalignments
- Field selectable voltage input – 12 or 24VDC and 12 to 24VAC (even 11 to 16VAC)
- Horizontal solenoid prevents manipulation from vibration
- Modular plug-in wire connectors
- Selectively brushed stainless steel finish
- Non-handed
- Allen head cap screws for added support and tamper resistance
- Mounting spacer included to provide enhanced latch engagement

Accessories

- 0162DDH** – Double door housing
- 0162MSK** – Mounting Spacer Kit 1/16" (1.5mm)
(Additional spacer included)

0162

Designed especially to operate with rim exit devices. The 0162 is completely surface mounted, no more cutting of the frame. The rugged stainless steel design accommodates hollow metal, aluminum and wood door frames.

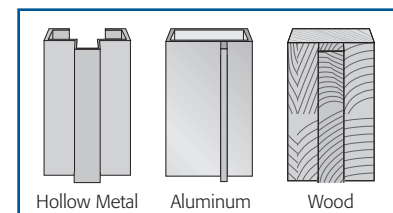
The one piece conventional keeper promotes even load distribution in the event of an attempted forced entry. The 0162 heavy duty housing is reinforced to eliminate twisting in the case of imperfect frames. The esthetically pleasing design even takes into consideration personal injury because its smooth radius design reduces chances of catching.

Highlights

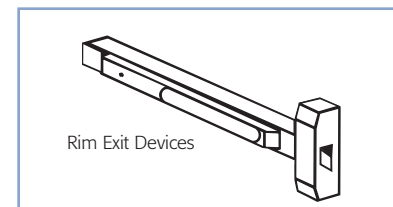
- Up to 1/4" (6.4mm) horizontal adjustment
- Tamper resistant
- Conventional keeper design - promotes even load distribution
- 5-year limited warranty
- Installation tool included (allen key)
- UL Listed for 1500 lbs of static strength
- Factory tested to over 4 million cycles of operation
- US Patent 7,722,097

Applications

- Commercial Centers
- Industrial Buildings
- Educational Facilities
- Retail Outlets
- Health Care Facilities
- Office Complexes



Door
Frame
Type



Door
Lock
Type

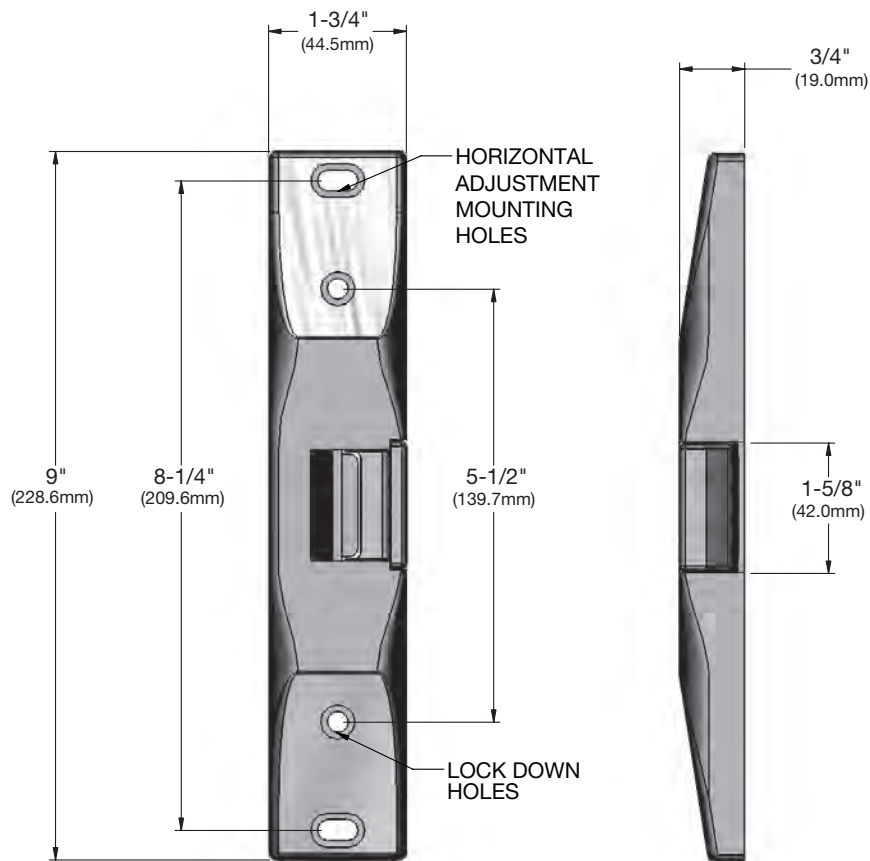


WORKING TOGETHER WITH
SERVOCELL

| Specifications | | | | | | | |
|----------------|-------------|---------|---------|--------------|--------|------|------|
| Model | Mode | Voltage | Current | Duty | Sound | Amps | Ohms |
| 0162 | Fail Locked | 12V | AC | Intermittent | Buzz | 0.30 | 22 |
| | | 12V | DC | Continuous | Silent | 0.50 | 22 |
| 0162 | Fail Locked | 24V | AC | Intermittent | Buzz | 0.64 | 22 |
| | | 24V | DC | Continuous | Buzz | 0.24 | 89 |
| 0162 | Fail Locked | 11V | AC | Intermittent | Buzz | 0.35 | 22 |
| | | 16V | AC | Intermittent | Buzz | 0.50 | 22 |

AC = Alternating Current
DC = Direct Current

Intermittent Duty = Energized less than 1 min. with Duty Ratio 1:5
Continuous Duty = Energized 1 min. or more



NOTE: Not to scale. Specifications are subject to change without notice.